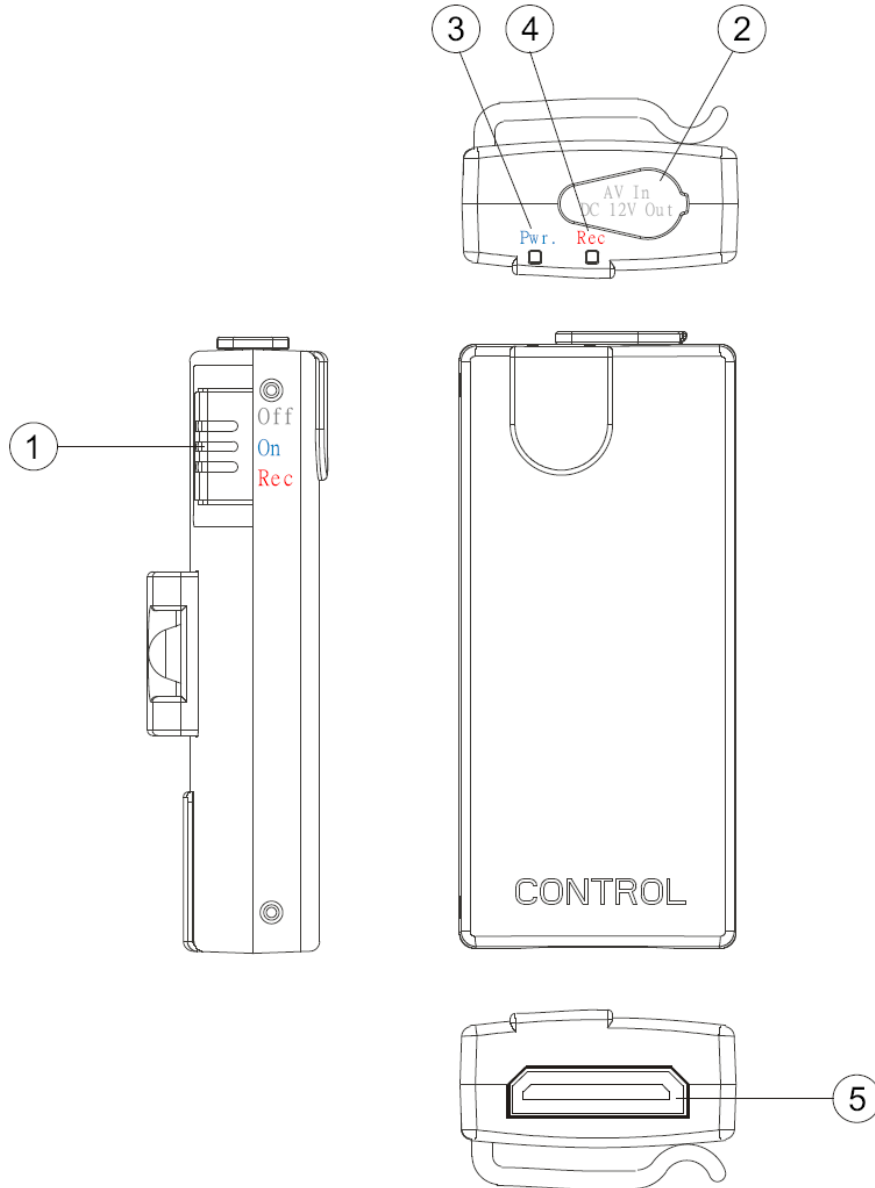


❏ Wire Control



1. Power Off/On/REC
2. AV In/DC 12V Out Jack
3. Power Indication Light

4. REC Indication Light
5. Wire Control Port